



Brass Safety Groups

Function:

One-way pressure relief valves are used in storage-type water heaters.

It is composed of components that perform the following functions:

- Safety pressure relief function: Prevents the pressure of the cold water in the hot water storage tank from rising above the safe pressure-bearing value after heating.
 - Anti-pollution function: Prevent the water heated in the hot storage tank from flowing back into the cold water system.
 - Cut-off function: Disconnect the water supply system from the water heater during maintenance or repair.
- The one-way pressure relief valve is a product that is mandatory to be installed under the current European regulations.



Technical specification:

valve body

nickel plated brass

ball valve

copper alloy

check valve

copper alloy

Safety valve piston

EPDM

Hydraulic seal

EPDM

spring

stainless steel

applicable medium

water

The highest water temperature

120°C

MWP

10bar

Power of water heater

10KW

Pressure relief at 8.4 bar (+20%) :

water>600l/h

steam>220kg/h

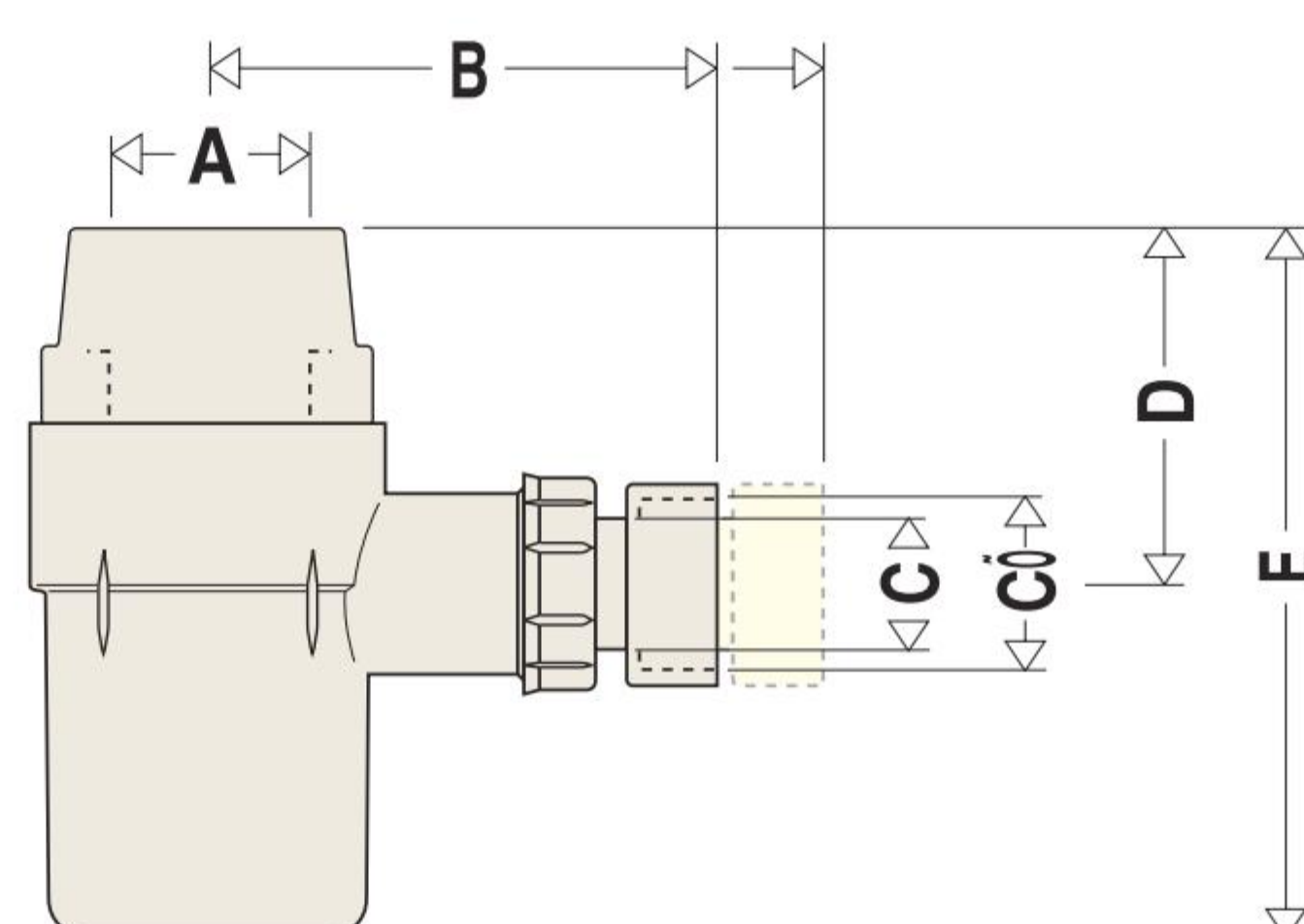
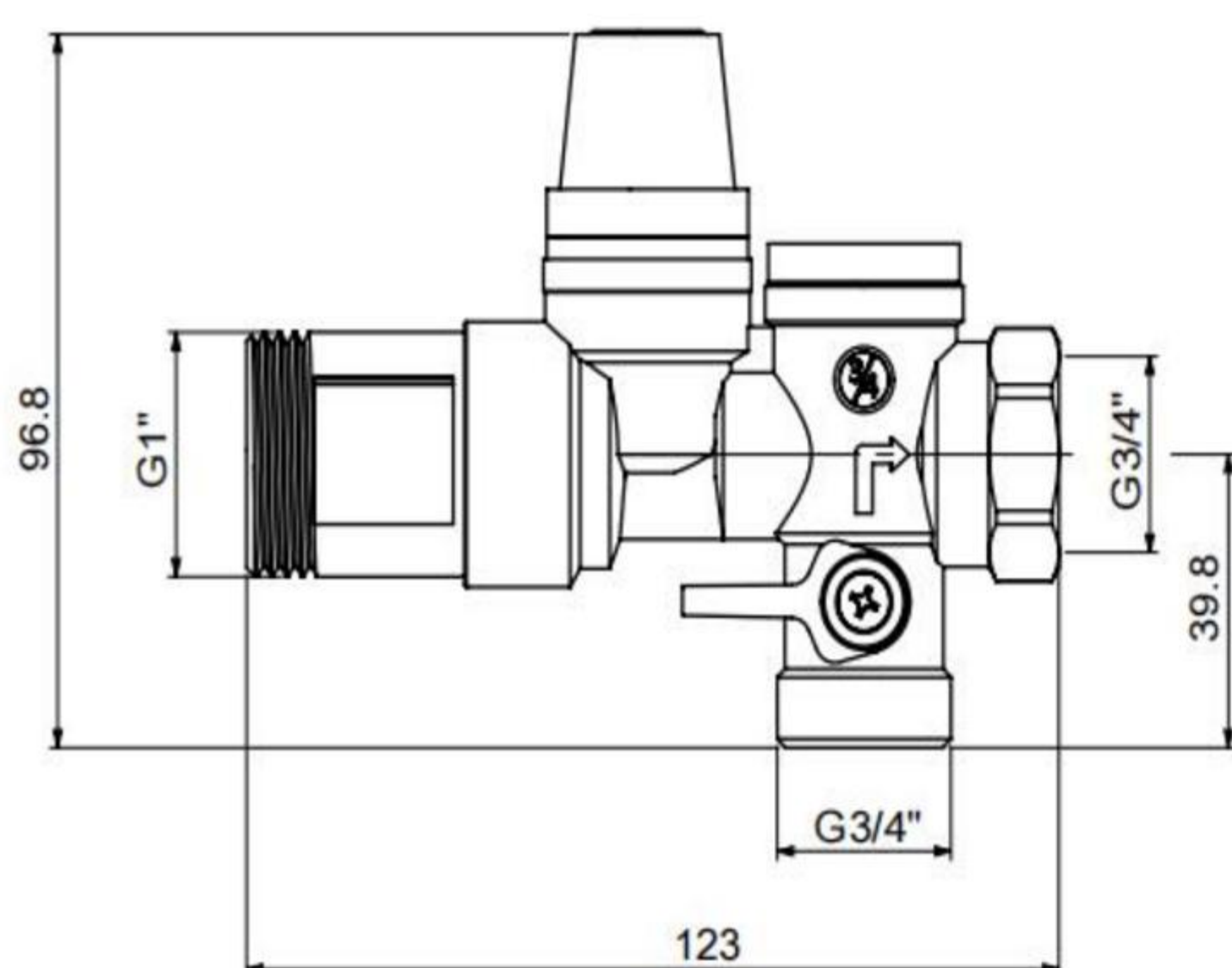
caliber:

Cold water inlet :3/4"M

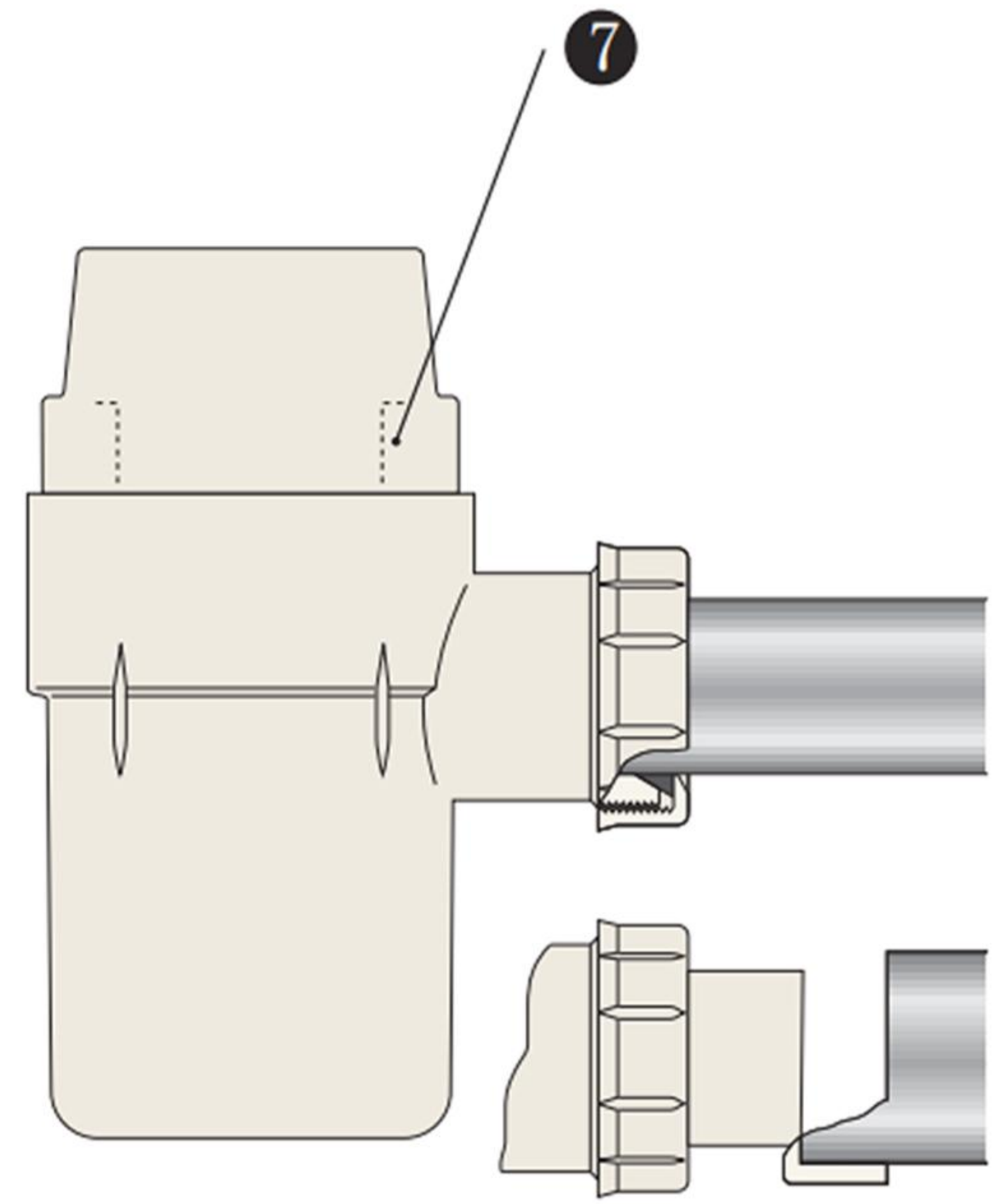
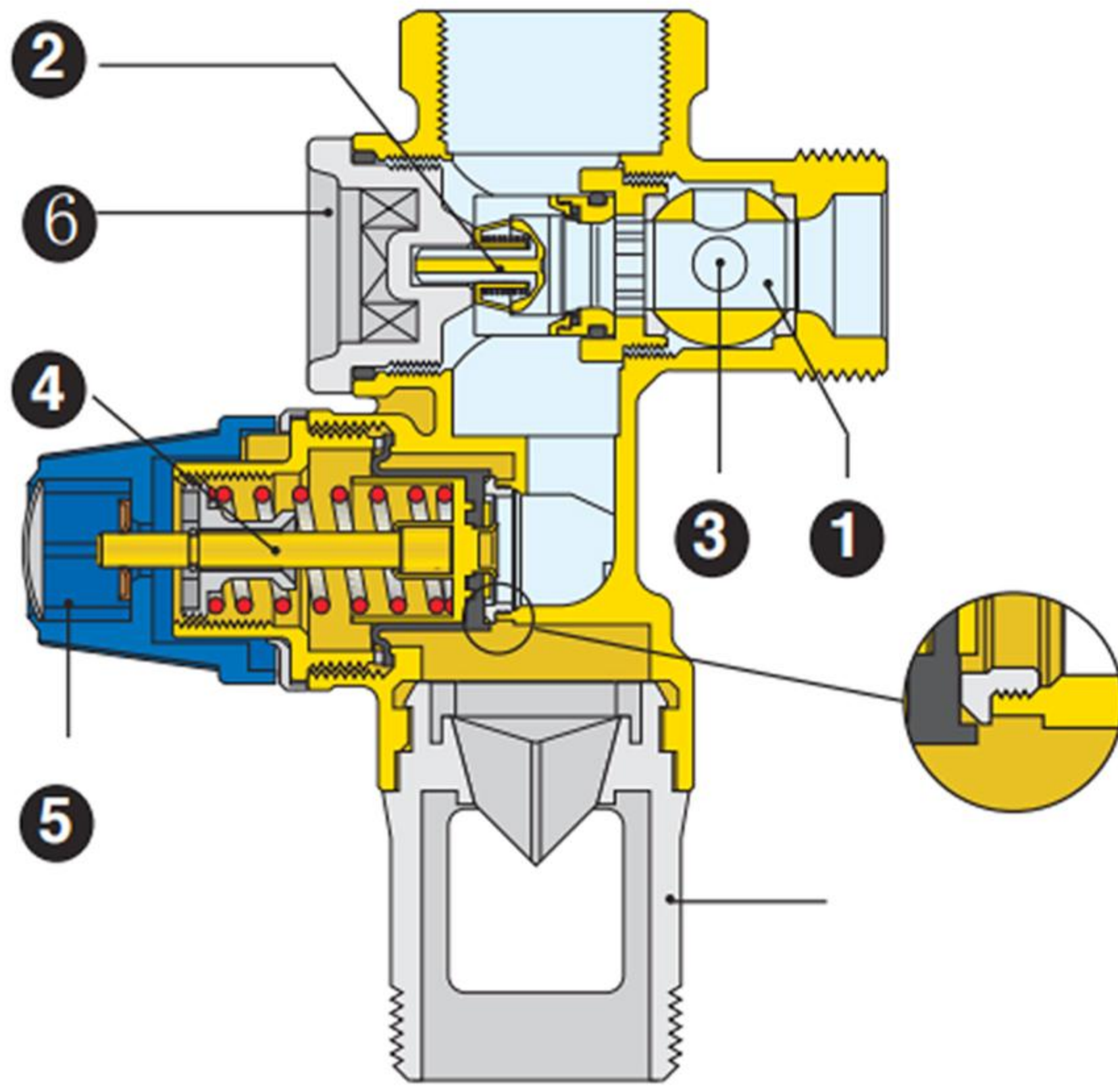
Water inlet of the water heater :3/4"F

Drainage :1"M

Dimension figure:



Name of parts:



① stop valve

④ safety valve

⑦ Anti-siphon drainage funnel

② check valve

⑤ Manual pressure relief handle

③ Check valve detection port

⑥ Replace the plug of the check valve core

1. One-way pressure relief safety valve for water heater

2. The interface of the water heater is equipped with a stop valve and a check valve (detectable).

3. The diameter of the cold water inlet is 3/4" M, the diameter of the water heater interface is 3/4" F, and the diameter of the drain outlet is 1" M.

4. Nickel-plated brass valve body. EPDM seal, maximum water temperature 120. The maximum working pressure is 10 bar. The set pressure of the safety valve is 7 bar

Drainage funnel:

